

The logo for WayTrain, featuring the word "WAY" in red and "TRAIN" in black, with a red triangle above the "I".

WAYTRAIN

Metal Sawing Technology
www.waytrain.com

A large, bold, black stylized letter 'W' logo.

W
SERIES

COLLECTION

WK- INTEGRATED PANEL AC-MOTOR SERIES

WE- PROFESSIONAL SERIES

WV- INVERTER CONTROLS SERIES

WK series (EURO STYLE)



WK-210SH (AC) WDK-210SH (DC)

MANUAL

- Miter Capability Right 0° to 60°.
- Easily operating control panel.
- Trigger switch for annual cutting.
- Quickly clamping by lever.
- Hydraulic Feed Control Cutting.

SPECIFICATIONS

Capacity (HxW)	90°	○ 170 mm	□ 170 x 170 mm	□ 95 x 210 mm
	45°	○ 120 mm	□ 110 x 110 mm	
	60°	○ 70 mm	□ 60 x 60 mm	
Blade Size	20 x 0.9 x 2110 mm			
Blade Speed	DC	20 ~ 85 mpm Variable speed		
	AC	50Hz 4P/90 8P/45 mpm		
Blade Motor	DC	1.5 HP (110V 220V)		
	AC	1 HP		
Coolant Pump	32W			
Container Loads	18 units / 20' 80 units / 40'			
Packing Size	1160 x 570 x 830 mm			
N.W. / G.W.	150 kg / 170 kg			



WK-275SH (AC) WDK-275SH (DC)

MANUAL

- Easily operating control panel.
- Miter cutting R0° ~ 60° angle cuts.
- Two blade speeds selection. (AC)
- Vise quickly lock lever.
- Trigger switch for manual cutting.
- Hydraulic down feed controlling. (SH type)

SPECIFICATIONS

Capacity (HxW)	90°	○ 225 mm	□ 195 mm	120 x 245 mm
	45°	○ 150 mm	□ 150 mm	135 x 200 mm
	60°	○ 90 mm	□ 85 mm	
Blade Size	27 x 0.9 x 2460 mm			
Blade Speed	DC	20 ~ 85 mpm Variable speed		
	AC	50Hz 4P/72 8P/36 mpm		
Blade Motor	DC	2 HP(110V 220V)		
	AC	1.5 HP		
Coolant Motor	32W			
Packing Size	1505 x 685 x 930 mm (59.5" x 27.5" x 37")			
N.W. / G.W.	195 kg / 222 kg			

HORIZONTAL BAND SAW

WK-285DS/DSA

MANUAL



- Dual miter cutting L45°, R60°.
- Manual or hydraulic down feed control.
- Two blade speed selection.
- Blade tension gauge.
- Quickly clamping by lever.

SPECIFICATIONS

Capacity (HxW)	90°	○ 250 mm	□ 240 x 240 mm	▭ 200 x 285 mm
	45°	○ 200 mm	□ 180 x 180 mm	▭ 140 x 180 mm
	60°	○ 120 mm	□ 95 x 95 mm	▭ 95 x 110 mm
	L45°	○ 150 mm	□ 140 x 140 mm	▭ 90 x 150 mm
Blade Size	27 x 0.9 x 2685 mm			
Blade Speed	50 HZ 4P 72 mpm ; 8P 36 mpm			
Blade Motor	1.5 HP (1.1 kw)			
Coolant Motor	32W			
Container Loads	DS	20 units / 20' 40 units / 40'		
	DSA	10 units / 20' 20 units / 40'		
Packing Size	1676 x 749 x 1054 mm			
N.W. / G.W.	310 kg / 360 kg			

WK-310AR

SEMI-AUTO

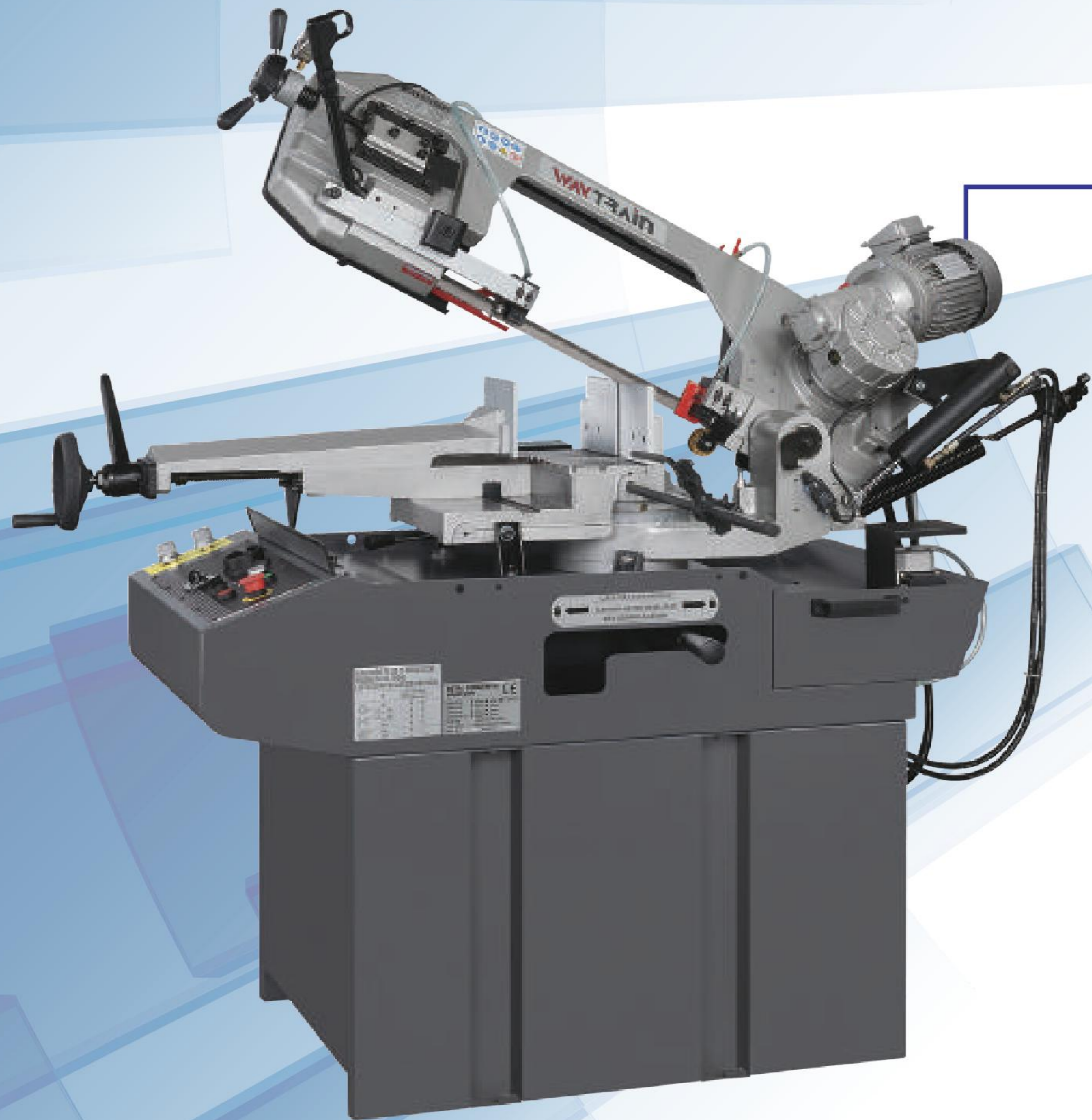


- Working table swiveling with saw head.
- Easily operating control panel.
- Double miter cutting.
- Two blade speed selection.
- Hydraulic clamping vise.
- Down feed flow control knob.
- Blade tension indicator.

SPECIFICATIONS

Capacity (HxW)	90°	○ 250 mm	□ 240 x 240 mm	▭ 210 x 310 mm
	45°	○ 200 mm	□ 180 x 180 mm	▭ 140 x 200 mm
	60°	○ 120 mm	□ 120 x 120 mm	
	L45°	○ 160 mm	□ 150 x 150 mm	▭ 210 x 75 mm
Blade Motor	1.5 HP 50 HZ			
Blade Size	27 x 0.9 x 2725 mm			
Blade Speeds	4P / 72 8P / 36 mpm			
Hydraulic Motor	1/2 HP			
Coolant Motor	32W			
Container Loads	10 units / 20' 20 units / 40'			
Packing Size	1702 x 749 x 1575 mm (67" x 29.5" x 62")			
N.W. / G.W.	430 kg / 490 kg			

WK series (EURO STYLE)



WK-310DS/DSA

MANUAL

- Motor Inverter Controls Blade Speed.
- Manual or Auto flow control dual cutting (L45°, R60°).
- Easily Accessible Control Panel.
- Blade tension indicator.
- DSA is Semi-Auto type.



CONTROL PANEL

SPECIFICATIONS

Capacity (HxW)	90°	○ 250 mm	□ 240 x 240 mm	▭ 210 x 310 mm
	45°	○ 200 mm	□ 180 x 180 mm	▭ 140 x 200 mm
	60°	○ 120 mm	□ 120 x 120 mm	
	L45°	○ 150 mm	□ 150 x 150 mm	▭ 90 x 170 mm
Blade Size	27 x 0.9 x 2725 mm			
Blade Speed	4P/72 8P/36mpm			
Blade Motor	1.5 HP (1.1 kw)			
Coolant Motor	32W			
Contain Load	DS	20 units/20' 40units/40'		
	DSA	10 units/20' 20units/40'		
Packing Size	1676 x 749 x 1054 mm			
N.W. / G.W.	310 kg / 360 kg			

WK-350DSA

SEMI-AUTO

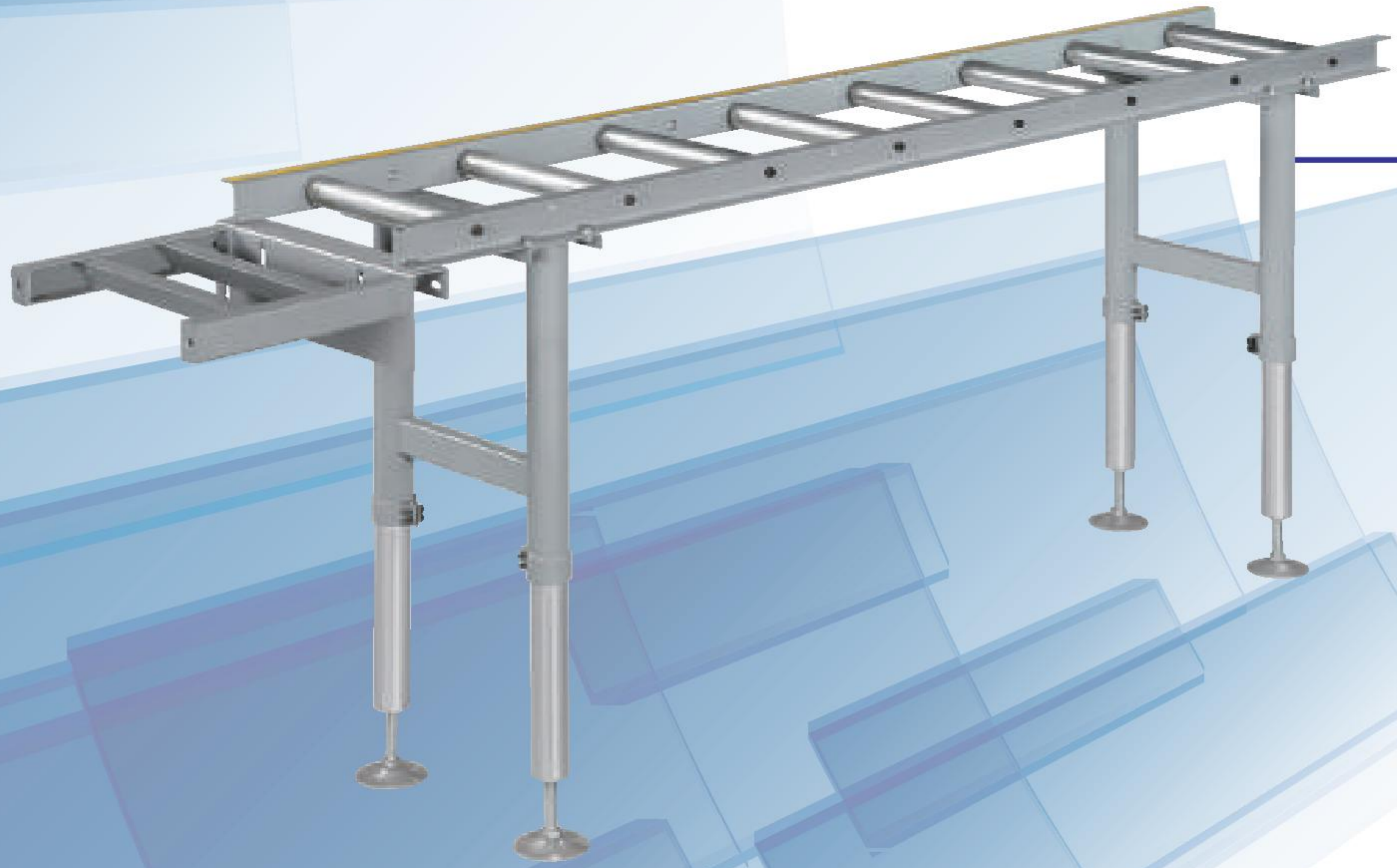
- Easily operating control panel.
- Double miter cutting.
- Two blade speeds selection.
- Hydraulic clamping vise.
- Down feed flow control knob.
- Blade tension indicator.

SPECIFICATIONS

Capacity (HxW) (Dual Miter Cutting)	90°	○ 270 mm	□ 260 x 260 mm	▭ 220 x 350 mm
	R45°	○ 240 mm	□ 220 x 220 mm	
	R60°	○ 160 mm	□ 150 x 150 mm	
	L45°	○ 210 mm	□ 180 x 180 mm	
Blade Size	27 x 0.9 x 3160 mm			
Blade Speed	50 HZ 4P 68 mpm ; 8P 34 mpm			
Blade Motor	2 HP (1.5 kw)			
Hydraulic Motor	1/2 HP			
Coolant Motor	50W			
Packing Size	1950 x 750 x 1660 mm			
Table Height	885 mm			
N.W. / G.W.	450 kg / 506 kg			



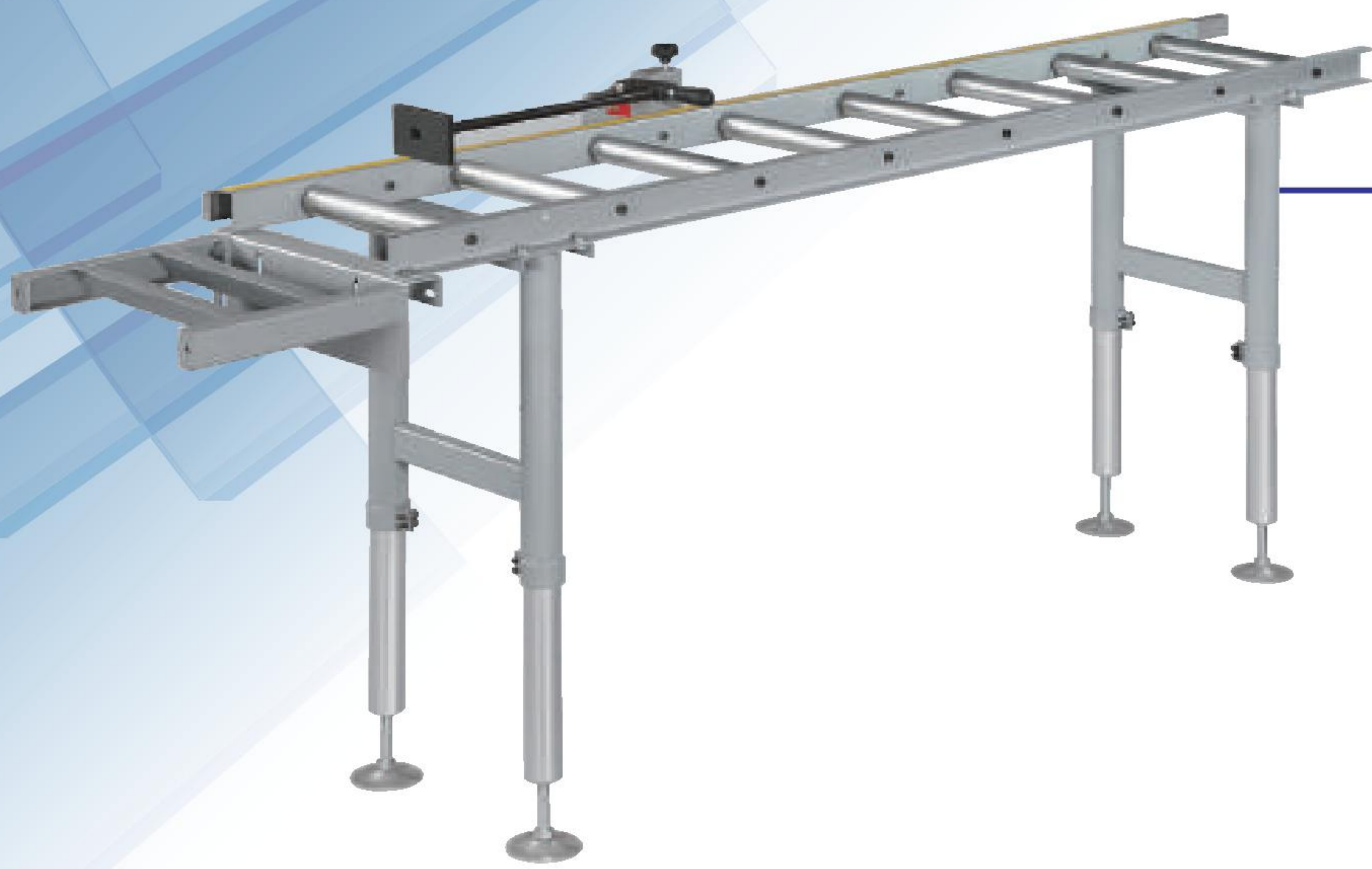
WE series (EURO STYLE)



WE-31T1

SPECIFICATIONS

Length	2M
Width	300
Height	560
Adjustable Height Range	600-1000
Rollers	8
Scale Type	None
Maxiam Loading	800 kg
Packing Size	2300 x 380 x 190



WE-31T2

SPECIFICATIONS

Length	2M
Width	300
Height	560
Adjustable Height Range	600-1000
Rollers	8
Scale Type	Position Scale
Maxiam Loading	800 kg
Packing Size	2300 x 380 x 190



WE-31T2D

SPECIFICATIONS

Length	2M
Width	300
Height	560
Adjustable Height Range	600-1000
Rollers	8
Scale Type	Megnetic Scale and Digital Read Out
Maxiam Loading	800 kg
Packing Size	2300 x 380 x 190

ROLLER TABLE



WE-33T1

SPECIFICATIONS

Length	3M
Width	300
Height	560
Adjustable Height Range	600-1000
Rollers	12
Scale Type	None
Maxiam Loading	800 kg
Packing Size	3300 x 380 x 190



WE-33T2

SPECIFICATIONS

Length	3M
Width	300
Height	560
Adjustable Height Range	600-1000
Rollers	12
Scale Type	Position Scale
Maxiam Loading	800 kg
Packing Size	3300 x 380 x 190



WE-33T2D

SPECIFICATIONS

Length	3M
Width	300
Height	560
Adjustable Height Range	600-1000
Rollers	12
Scale Type	Megnetic Scale and Digital Read Out
Maxiam Loading	800 kg
Packing Size	3300 x 380 x 190