

SLANT BED LATHE - SPECIFICATION

ITEM	MODEL	ATC-600	ATC-700	ATC-800	ATC-900
Machining capability	Distance between centers	1000, 1500, 2000, 3000, 4000, 5000, 6000mm			
	Swing over bed	600mm	700mm	800mm	900mm
	Swing over gap	900x450	1000x450	1100x450	1200x450
Main spindle	Spindle nose	D1-8, 104mm : L 60°230, M 230°680, H 680°2000rpm			
	Spindle bore	D1-11, 130mm : L 40°130, M 130°400, H 400°1200rpm			
	Spindle speed (rpm)	A2-11, 165mm : L 20°110, M 110°320, H 320°660rpm			
		A2-15, 230mm : L 20°110, M 110°320, H 320°660rpm			
Travel	X axis	460mm	460mm	460mm	460mm
	Y axis (Optional)	± 50mm	± 100mm	± 150mm	± 150mm
	Z axis	1020/1520/2020/3020/4020/5020/6020mm			
	Feeds	15M/min			
Machining capability	X axis rapid traverse	15M/min			
	Y axis rapid traverse (Optional)	6M/min			
	Z axis rapid traverse	15M/min			
	Cutting feed rate	0.001-500mm/rev (0.0004°-20°/rev)			
Motors	Main motor	Spindle motor 22kw			
	X axis servo motor	AC servo motor 3.0kw, 12Nm			
	Y axis servo motor (Opt)	AC servo motor 3.0kw, 12Nm, ABS			
	Z axis servo motor	AC servo motor 6.0kw, 38Nm			
	Lubrication pump	100W			
Tank capacity	Coolant pump	450W, 6~10 bar			
	Hydraulic tank pump (optional)	5hp (3.7kw)			
	Hydraulic tank (optional)	70L			
	Lubrication pump	2L			
Ball screw	Coolant tank	100L			
	X axis diameter	30mm / pitch 10			
	Y axis diameter	30mm / pitch 10			
	Z axis diameter	50mm / pitch 10			
Tailstock	Quill diameter	115mm / 160mm (opt)			
	Quill travel	270mm			
	Quill taper	MT6			
Measurement	Length	3900, 4400, 4900, 5900, 6900, 7900, 8900mm			
	Height	2300mm			
	Width	2300mm			
	Net weight (approx.)(kg)	8500, 9500, 10500, 12000, 14000, 16000, 18000			
Weight capacity	Chuck only	Chuck+Tailstock	Chuck + 1 steady rest + tailstock	Chuck + 2 steady rest + tailstock	
	800kg	4000kg	5000kg	6000kg	

Above specifications are subject to change without notice. Special requirement please contact with us.

SLANT BED LATHE - SPECIFICATION

ITEM	MODEL	ATC-1000	ATC-1100	ATC-1200	ATC-1300
Machining capability	Distance between centers	2000, 3000, 4000, 5000, 6000, 7000, 8000, 9000, 10000mm			
	Swing over bed	1000	1100	1200	1300
	Swing over gap	1300x600	1400x600	1500x600	1600x600
Main spindle	Spindle nose	A2-11, 165mm : L 20°110, M 110°320, H 320°660rpm			
	Spindle bore	A2-15, 230mm : L 20°110, M 110°320, H 320°660rpm			
	Spindle speed (rpm)	A2-20, 310mm : L 20°100, M 100°200, H 200°400rpm			
		A2-28, 410mm : L 20°80, M 80°150, H 150°250rpm			
Travel	X axis	620mm	620mm	620mm	620mm
	Y axis (Optional)	± 150mm	± 200mm	± 250mm	± 250mm
	Z axis	2080, 3080, 4080, 5080, 6080, 7080, 8080, 9080, 10080mm			
	Feeds	15M/min			
Machining capability	X axis rapid traverse	15M/min			
	Y axis rapid traverse (Optional)	6M/min			
	Z axis rapid traverse	15M/min			
	Cutting feed rate	0.001-500mm/rev (0.0004°-20°/rev)			
Motors	Main motor	Spindle motor 37kw			
	X axis servo motor	AC servo motor 7.0kw, 30Nm			
	Y axis servo motor (Opt)	AC servo motor 7.0kw, 30Nm, ABS			
	Z axis servo motor	AC servo motor 6.0kw, 38Nm			
	Lubrication pump	100W			
Tank capacity	Coolant pump	450W, 6~10 bar			
	Hydraulic tank pump (optional)	5hp (3.7kw)			
	Hydraulic tank (optional)	70L			
	Lubrication pump	2L			
Ball screw	Coolant tank	100L			
	X axis diameter	40mm / pitch 10			
	Y axis diameter	40mm / pitch 10			
	Z axis diameter	63mm / pitch 10			
Tailstock	Quill diameter	160mm / A2-8 250mm (opt)			
	Quill travel	200mm			
	Quill taper	MT6			
Measurement	Length	5340/6340/7340/8340/9340/10340/11340/12340/13340mm			
	Height	3000mm			
	Width	3000mm			
	Net weight (approx.)(kg)	20000, 22000, 25000, 28000, 31000, 34000, 37000, 40000, 43000			
Weight capacity	Chuck only	Chuck+Tailstock	Chuck + 1 steady rest + tailstock	Chuck + 2 steady rest + tailstock	
	1000kg	4000kg	7000kg	10000kg	

Above specifications are subject to change without notice. Special requirement please contact with us.



CNC SLANT BED LATHE

ATC-600~900
ATC-1000~1300

Long Y axis travel + Gap



ANN YANG MACHINERY CO., LTD.

NO. 62, FENG GONG S RD., SHEN KANG DIST., TAICHUNG 42942, TAIWAN
(FENG-ZHOU HIGH-TECH IND.PARK)
Tel : +886-4-25270198 Fax : +886-4-25270199
Website : www.annnyang.com E-mail : cnc@annnyang.com

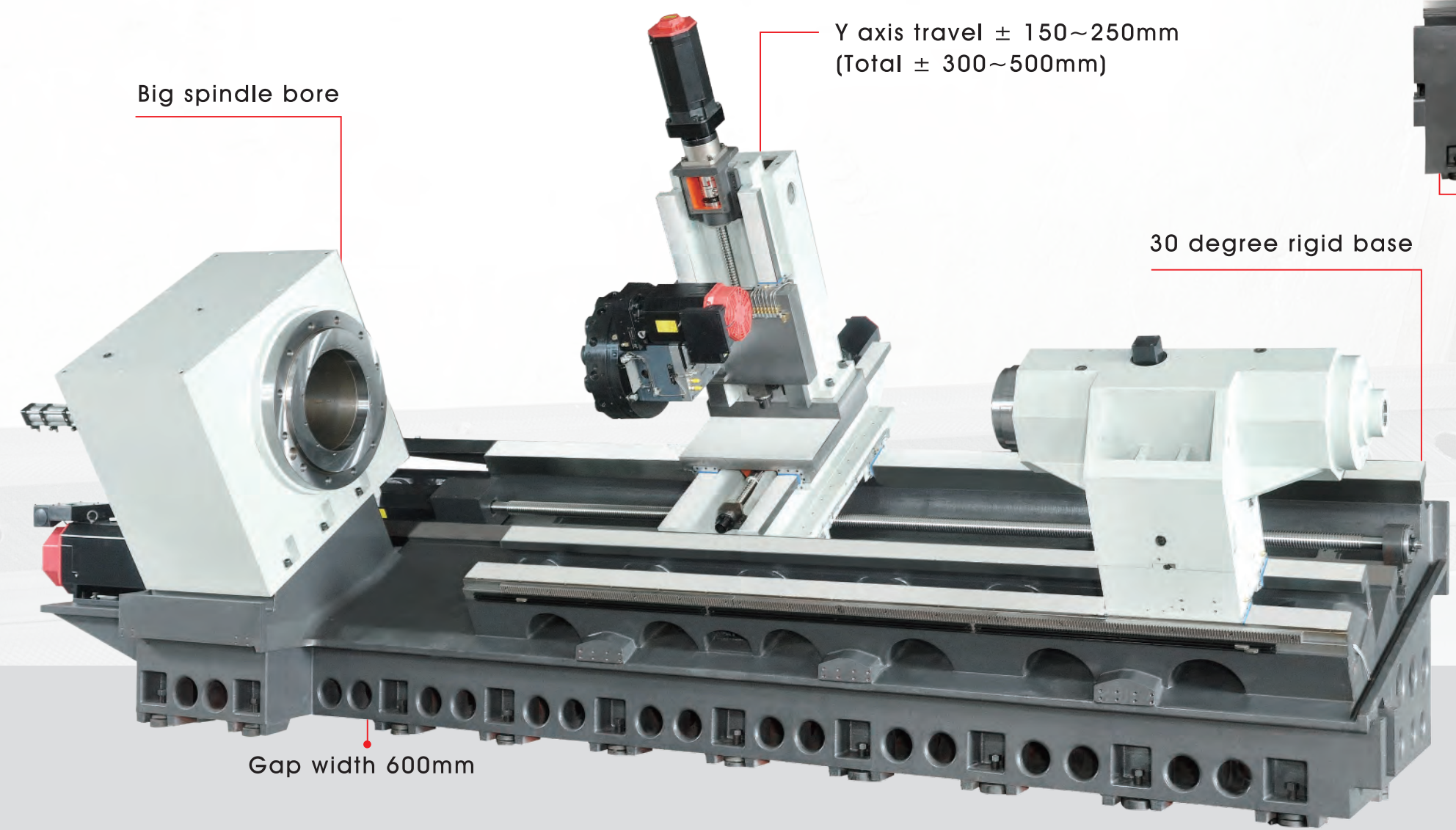


www.annnyang.com

PRODUCTION LINE OF CNC LATHE



Annn Yang Machinery Co., Ltd. is located in the modern Feng Zhou High Tech Industrial Park in Taichung, Taiwan. Since its inception in 1990, Annn Yang has been developing lathes for the international market, producing precision built machines that are both unique in design and function. Through innovation and aggressive investment in many cutting-edge resources when developing new products, Annn Yang constantly makes advances in the lathe industry.

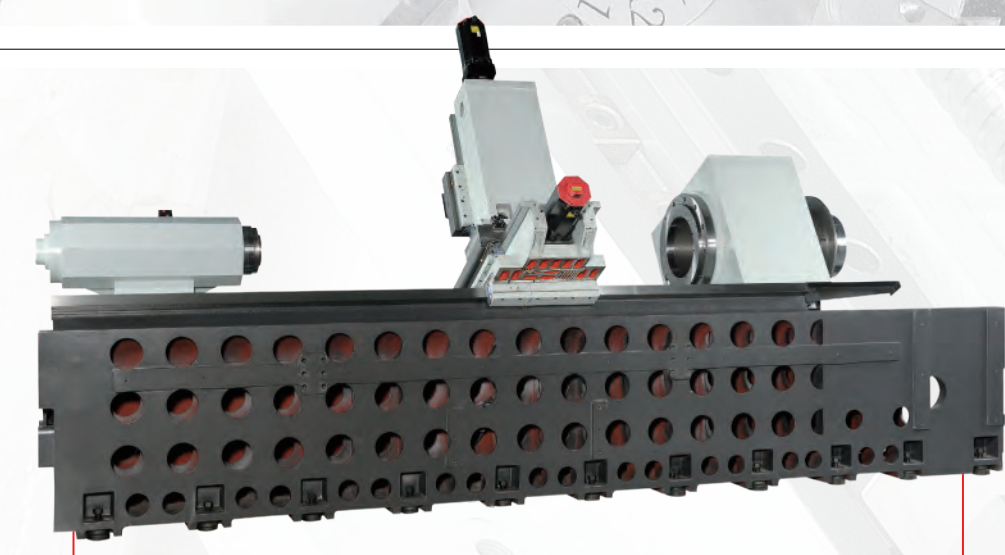


Big spindle bore

Y axis travel $\pm 150\sim 250\text{mm}$
(Total $\pm 300\sim 500\text{mm}$)

30 degree rigid base

Gap width 600mm



Extra rigid base

Big bore 410mm

3 gear steps
Auto gear change

Hydraulic brake

live tool turret
VDI 50

Rotating quill

Gap width 600mm

CNC SLANT BED LATHE

ATC-600~900
ATC-1000~1300